

Ideal Degerming Machine for Modern Maize Mills

MAIZE DEGERMER

VBF10AM-T



The VBF series of vertical maize degerming machines incorporate the most advanced techniques and has proved to be superior to other machines in maize degerming mills throughout the world. The versatility of the VBF for decorticating and degerming of all kernels makes it the ideal machine for modern maize mills.

FEATURES:

1. Higher degerming yield:
The newly developed degerming chamber produces evenly decorticated and degermed maize with higher yield.
2. Lower installation and operation costs:
The VBF's robust construction and low specific power minimizes operating costs and its compact design minimizes floor space requirements and installation costs.
3. Easy maintenance:
The screens and two-piece degerming roll are easily removed from the side of the machine.
4. One-touch discharge of remaining maize (Optional):
The maize remaining in the chamber after degerming can be easily discharged by using the optional suction fan system.

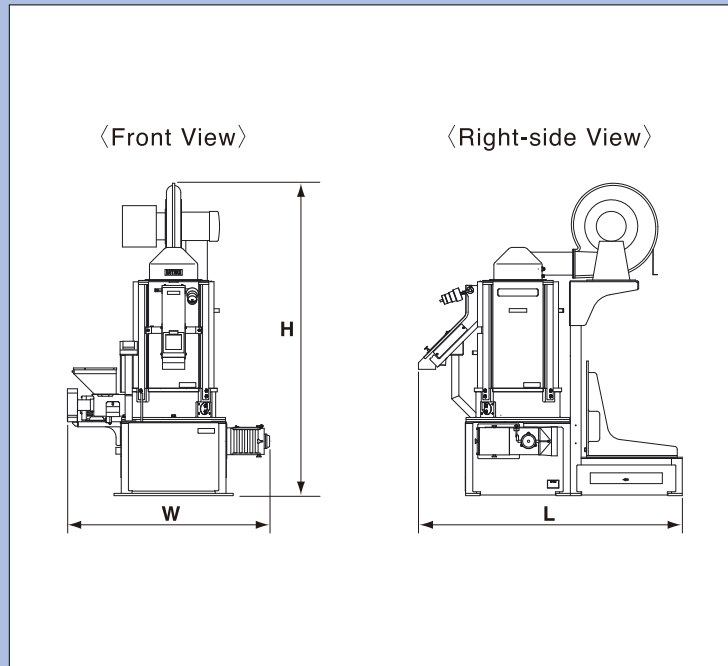
MAIZE DEGERMER

Specifications

Model	Input Capacity (t/h)	Motor (kW)	Main Shaft (r.p.m.)	Air Volume (m ³ /min)	Static Pressure (mmAq)	Net Weight (kg)
VBF10AM-T	4~6	55 or 75	485r.p.m.(50Hz)	45	-100~-150	w/o Motor 1,200
			464r.p.m.(60Hz)			

*Automatic Weight Control System is optional.

Dimensions



Model	W (mm)	L (mm)	H (mm)	Weight (kg)*1
VBF10AM-T	1,439	1,873	2,107	1,300

*1 Net weight without main motor

All Satake products are the subject of continuous development and, as a result, their specification may change and differ in detail from those shown.

SATAKE CORPORATION

Head Office
2-30 Saijo Nishihonmachi,
Higashi-Hiroshima-shi, Hiroshima-ken,
739-8602, Japan
URL : www.satake-group.com

SATAKE USA INC.
10900 Cash Road,
Stafford, Texas, 77477, U.S.A.
URL : www.satake-usa.com

SATAKE AMERICA LATINA LTDA.
Rua Xavantes, 155-Pav. 20, Bairro
Atiradores, CEP 89203-210, Joinville,
Santa Catarina, Brazil
URL : www.satake.com.br/

SATAKE EUROPE LTD.
P.O. Box 53, Horsfield Way, Bredbury
Industrial Park, Bredbury, Stockport,
Cheshire, SK6 2SU, U.K.
URL : www.satake-europe.com

SATAKE INDIA ENGINEERING PVT. LTD.
4th Floor, Tower-1, HB Twin Towers, A2,
3, 4, Netaji Subhash Place, Wazirpur
District Centre, New Delhi, 110034, India
URL : www.satakeindia.com/

SATAKE (THAILAND) CO., LTD.
133,134 Moo 5, Bangkadi, Mueang
Pathum Thani, Pathum Thani 12000,
Thailand
URL : www.sataketh.com

SATAKE INTERNATIONAL BANGKOK CO., LTD.
888/84 Mahatun Plaza Bld., 8th Floor,
Ploenchit Rd., Lumpini, Pathumwan,
Bangkok, 10330, Thailand
URL : www.sataketh.com

PT. SATAKE GOBEL INDONESIA
Gedung Surabaya Bumi Mandiri,
Lantai 9, Jalan Jenderal Basuki
Rachmat Nomor 129-137, Unit 905 B,
Indonesia

SATAKE MANUFACTURING (SUZHOU) CO., LTD.
229 Jin Feng Road, Suzhou New
District, Suzhou, Jiangsu Province,
215129, China
URL : www.satake.cn/

SATAKE AUSTRALIA PTY. LTD.
15 Leland Street, Penrith, N.S.W.,
2750, Australia
URL : www.satake.com.au

ISO 9001 Certification
(Quality Management Systems)

ISO 14001 Certification
(Environmental Management Systems)

SATAKE CORPORATION has obtained
ISO9001 and ISO14001 certification.
These international standards for management
systems ensure Satake will continue to provide
high quality products and services.