

High Capacity Milling Separator

# MILLING SEPARATOR

SFI1000A-T /1500A-T



SFI1000A-T

The Satake Milling Separator SFI is an all purpose separator for the cleaning of cereal grains, such as rice, wheat, maize (corn), rye, oats, etc. The oscillation of the double deck sieves efficiently removes both large or coarse material, and fine impurities from the grain being cleaned.

The SFI is available as a Silo rice, (elevator) Intake Separator for high capacities and as a Milling Separator, to provide a more precise separation.

The SFI can be used with a simple exhaust or can be matched to either a SCA Closed Circuit Aspirator or an open circuit aspirator.

## FEATURES:

- High separating efficiency.
- Large capacity.
- Robust construction with low maintenance requirements.
- Easy sieve removal.
- Easy inspection cover removal.
- Simple and precise motor alignment.

## MILLING SEPARATOR

### Specifications

Model		SFI1000A-T	SFI1500A-T
Capacity (t/h) *1	Paddy *2	5	10
	Brown Rice *2	10	15
	Wheat	Intake	65
Cleaning		16	25
Motor (kW)		0.85-6Px2	1.6-6Px2
Suction	(m <sup>3</sup> /min.)	12	12
	(kPa)	-0.2	-0.2

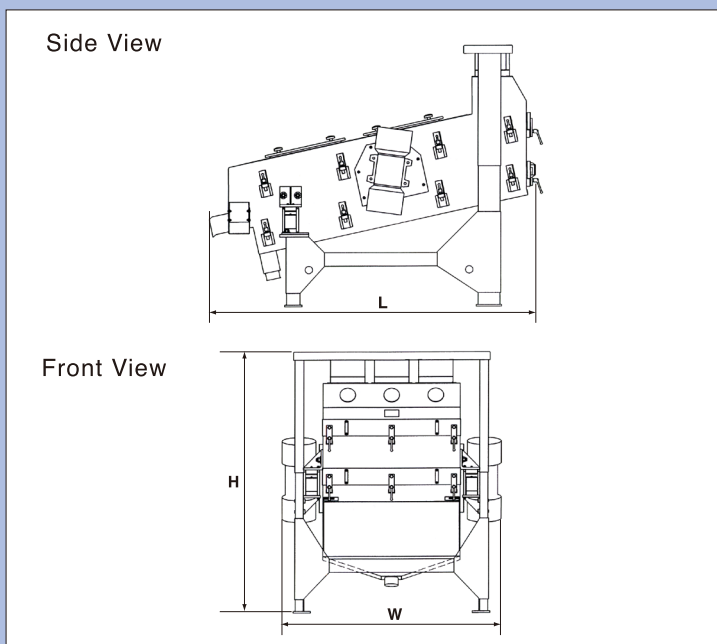
### Material Condition

Material	Contamination of Impurities(%)	Moisture Content(%)
Paddy	Less than 2	Less than 15
Brown Rice	Less than 2	Less than 15
Wheat	Less than 3	Less than 15

\*1 Capacities are dependent on material characteristics.

\*2 Capacities for long and middle grain rice.

### Dimensions



Model	W(mm)	L(mm)	H(mm)	Net Weight(kg)
SFI1000A-T	1,606	2,445 (2,428)	1,961 (1,933)	1,000
SFI1500A-T	2,236	2,445 (2,428)	1,961 (1,933)	1,500

\* Figures in ( ) are for intake use.

All Satake products are the subject of continuous development and, as a result, their specification may change and differ in detail from those shown.

## SATAKE CORPORATION

**Head Office**  
2-30 Saijo Nishihonmachi,  
Higashi-Hiroshima-shi, Hiroshima-ken,  
739-8602, Japan  
URL : [www.satake-group.com](http://www.satake-group.com)

**SATAKE USA INC.**  
10900 Cash Road,  
Stafford, Texas, 77477, U.S.A.  
URL : [www.satake-usa.com](http://www.satake-usa.com)

**SATAKE AMERICA LATINA LTDA.**  
Rua Xavantes, 155-Pav. 20, Bairro  
Atradores, CEP 89203-210, Joinville,  
Santa Catarina, Brazil  
URL : [www.satake.com.br/](http://www.satake.com.br/)

**SATAKE EUROPE LTD.**  
P.O. Box 53, Horsfield Way, Bredbury  
Industrial Park, Bredbury, Stockport,  
Cheshire, SK6 2SU, U.K.  
URL : [www.satake-europe.com](http://www.satake-europe.com)

**SATAKE INDIA ENGINEERING PVT. LTD.**  
4th Floor, Tower-1, HB Twin Towers, A2,  
3, 4, Netaji Subhash Place, Wazirpur  
District Centre, New Delhi, 110034, India  
URL : [www.satakeindia.com/](http://www.satakeindia.com/)

**SATAKE (THAILAND) CO., LTD.**  
133,134 Moo 5, Bangkadi, Mueang  
Pathum Thani, Pathum Thani 12000,  
Thailand  
URL : [www.sataketh.com](http://www.sataketh.com)

**SATAKE INTERNATIONAL BANGKOK CO., LTD.**  
888/84 Mahatun Plaza Bld., 8th Floor,  
Ploenchit Rd., Lumpini, Pathumwan,  
Bangkok, 10330, Thailand  
URL : [www.sataketh.com](http://www.sataketh.com)

**PT. SATAKE GOBEL INDONESIA**  
Gedung Surabaya Bumi Mandiri,  
Lantai 9, Jalan Jenderal Basuki  
Rachmat Nomor 129-137, Unit 905 B,  
Indonesia

**SATAKE MANUFACTURING (SUZHOU) CO., LTD.**  
229 Jin Feng Road, Suzhou New  
District, Suzhou, Jiangsu Province,  
215129, China  
URL : [www.satake.cn/](http://www.satake.cn/)

**SATAKE AUSTRALIA PTY. LTD.**  
15 Leland Street, Penrith, N.S.W.,  
2750, Australia  
URL : [www.satake.com.au](http://www.satake.com.au)

ISO 9001 Certification  
(Quality Management Systems)

ISO 14001 Certification  
(Environmental Management Systems)

SATAKE CORPORATION has obtained ISO9001 and ISO14001 certification. These international standards for management systems ensure Satake will continue to provide high quality products and services.